



Uncooled D1 Full HD X4 H.265 IP66 DVE 40mK

Technical Parameters

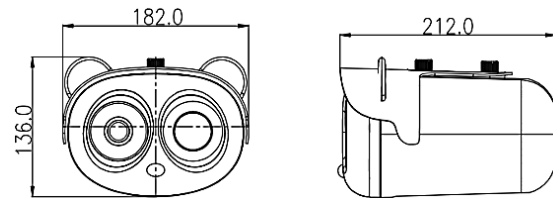
Model	ZNT8-B0F8-TASX4-XT
Detector (Thermal)	Long-Life, Uncooled IRFPA Microbolometer
Effective resolution	400 x 300 px
Pixel size	17µm
Thermal Sensitivity	≤40mK @F1.0, 300K (response time 30ms)
Spectral Range	8 do 14µm
lens (F1.0)	8mm
View angle(HxV)	46° x 35.3°
Measure distance	3 - 5 meters from detector
Detection zones	Up to 16 independent zones on scene
Measurement range	-10°C ... +50°C with tolerance ±0.3°C
Compression	H.265 / H.264, MJPEG / G.711, RAW PCM
Bitrate (CBR/VBR)	Stream.1: 500k – 6Mbit
Resolution	D1 (30fps)
Colour image	Black-Heat / White-Heat / Rainbow / Iron-Red Total: 17 different colour modes
Image Quality DVE	Yes, available levels: 0 – 6
Image correction	Auto / Manual / Outdoor
Image rotation	Horizontal / Vertical / Flip
Day/Night sensor	1/1.9" CMOS --- IMX 2MP
Lens (D/N)	2.7 – 12mm (4x) / F1.6-F2.9 / HOV: 105° ... 32°
Resolution (D/N)	1920x1080 (30fps)
Network protocols	HTTP, HTTPS, TCP, UDP, IPv4, IPv6, DHCP, 802.1x, RTSP, NTP, PPPoE, Unicast, Multicast
RTSP support	Standard RFC2326 (VLC Player / QuickTime)
Security	User authentication, hardware WatchDog
Compatibility	ONVIF, CGI
Ethernet Interface	10/100 Base-T, RJ45

Model: ZNT8-B0F8-TASX4-XT

Key features:

- **Uncooled IRFPA Microbolometer** – dedicated detector providing precise measurement results.
- **Temperature measurement** – enables multiple measurement of human body temperature (many people) being inside of predefined detection zone. Automatic alarm in case if any single person screened has detected temperature out of normal range.
- **High measurement accuracy** – scope of measured temperature is -10°C to +50°C with maximum tolerance **+/- 0.3°C** when BlackBody unit is applied into the system.
- **Color mode** – enables up to 17 options of colorful thermal imaging, depending on needs and screened scene. Examples available: "Black-Heat" / "White-Heat" / "Rainbow" / "Iron-Red".
- **Image quality enhancer"DVE"** – enables to improve image quality even in extremely low light conditions.
- **BlackBody** – module used in the system as a reference source of temperature, enabling to provide high accuracy of measurement being in the range +/-0.3°C

External dimentions:



Audio	1 x IN / 1 x OUT
Alarm	2 x IN / 2 x OUT
RS-485	Yes
Analog Output	N/A
Power supply	12V DC / PoE (802.3af)
Power consumption	Max. 10W
Temperatura działania	+5°C ... +30°C
Max. humidity	90%
Certificates and classes	CE / FCC / IP66 (Blackbody: IP44)
Dimentions / weigh	212 x 182 x 136 mm / 2kg

Mounting adapters:



ZA8-CBK346
(included)



ZA8-CBK350
(for camera ZNT8-B0F8-TASX4-XT)

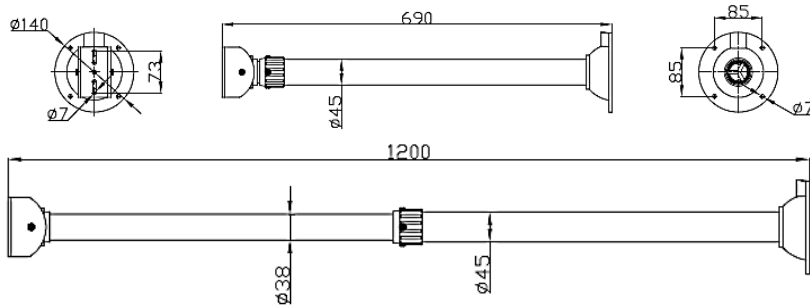


ZA8-CBK350A
(for BlackBody)

*In ambient temperature below -10°C, the camera requires „warm start" and does not assure high accuracy of measurement.

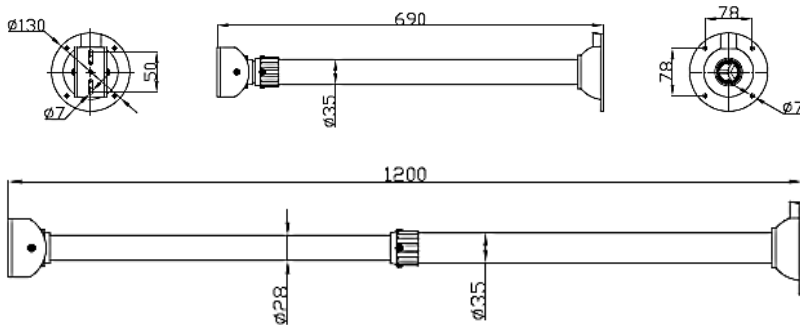
Mounting brackets for screening system

ZA8-CBK350 – ceiling bracket for camera ZNT8-B0F8-TASX4-XT



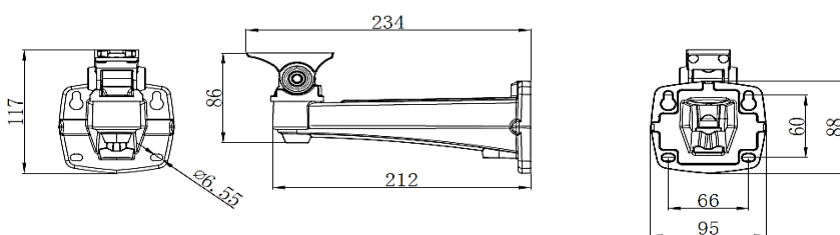
- adjustable tilt angle of the camera
- adjustable length: 690 – 1.200mm
- weight: 1.020g
- maximum load: 5kg
- color: white
- material: aluminium alloy

ZA8-CBK350A – ceiling bracket for BlackBody



- adjustable tilt angle of the BlackBody
- adjustable length: 690 – 1.200mm
- weight: 820g
- maximum load: 5kg
- color: white
- material: aluminium alloy

ZA8-CBK346A – wall mount bracket compatible with camera ZNT8-B0F8-TASX4-XT and BlackBody



- adjustable Pan and Tilt angle of the Camera/BlackBody
- weight: 414g
- color: white
- material: aluminium alloy