



IP speaker

| | |
|------------------------------|--|
| Model | ZS8-PAS30H-M |
| Codec | OPUS 48 kHz, MP3 44.1 kHz, G.722 ADPCM 16 kHz, G.711 PCMU 8 kHz, G.711 PCMA 8 kHz |
| Audio input | 1-ch |
| Speaker | |
| Max. SPL | 120 dB |
| Frequency response | 350 Hz to 8 kHz |
| Frequency range | 500 to 2 kHz ± 10 dB 400 to 12 kHz ± 20 dB |
| Harmonic distortion | 0.1@1kHz |
| Signal-to-noise ratio | 91 dB |
| Power supply | |
| Security | Password protection, IP address filtering, Digest authentication, user access log, firewall |
| Network protocol | SIP, ONVIF, HTTP, IPv4, DHCP, RTSP, RTP, RTCP, TCP, UDP, ARP, FTP, TFTP, NFS, NTP |
| Network interface | 10/100 Base-TX, RJ45 |
| VoIP | SIP protocol support for integration with VoIP systems, integrated with SIP/PBX. 2 SIP accounts, direct IP SIP connection, RTP multicast Codec: OPUS, MP3, G.722, PCMU, PCMA |
| Amplifier description | Built-in 30 W amplifier |
| Alarm input | 1ch, After receiving an alarm, the switch can play a ringtone or custom sound. |

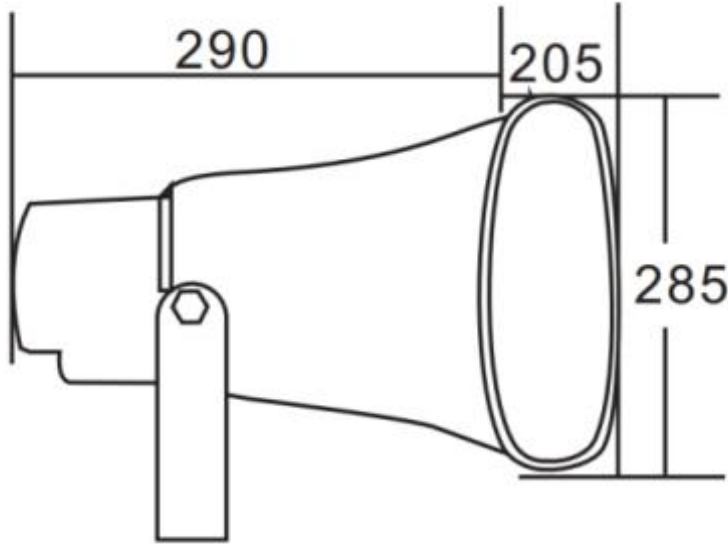
ZS8-PAS30H-M

Special features:

- Generates exceptionally loud, high-quality sound
- **IP67 waterproof housing** – ideal for outdoor use
- High sound quality thanks to the **OPUS 48 kHz** audio codec
- Compatible with **VoIP and SIP** devices (IPPBX, IP phone) via the SIP protocol
- **Master/Slave SIP** – a feature that allows messages to be sent from one Master speaker to all other Slave speakers (this solution allows you to use a single SIP account for simultaneous transmission to the entire speaker system)
- Integration with IP cameras and **VMS** systems via the **ONVIF** protocol
- Native integration with GANZ GenSTAR recorders
- Support for pre-recorded messages
- Support for **HTTP API** for alarm signal transmission
- Built-in microphone, 1-channel audio input, 1-channel alarm input
- 5 predefined sounds
- **10** available slots for user files
- **4 MB** of built-in memory
- Supported file formats: **MP3 and WAV**

| Technical parameters | |
|------------------------------|--|
| Operating temperature | -30°C to +60°C |
| Humidity | 5% to 85% |
| Material | ABS + metal (IP67 waterproof) |
| Power | 30W |
| Power | POE+ (802.3at) or 12/24 VDC |
| Installation | Wall mount |
| Dimensions | 290 × 205 × 285 mm (11.42 × 8.07 × 11.22 inch) |
| Net weight | 2 kg |
| Package includes | Network horn speaker, user manual |

Dimensions (mm)



Compatibility:



GenSTAR NVR



CORTROL VMS